

LogiLink®

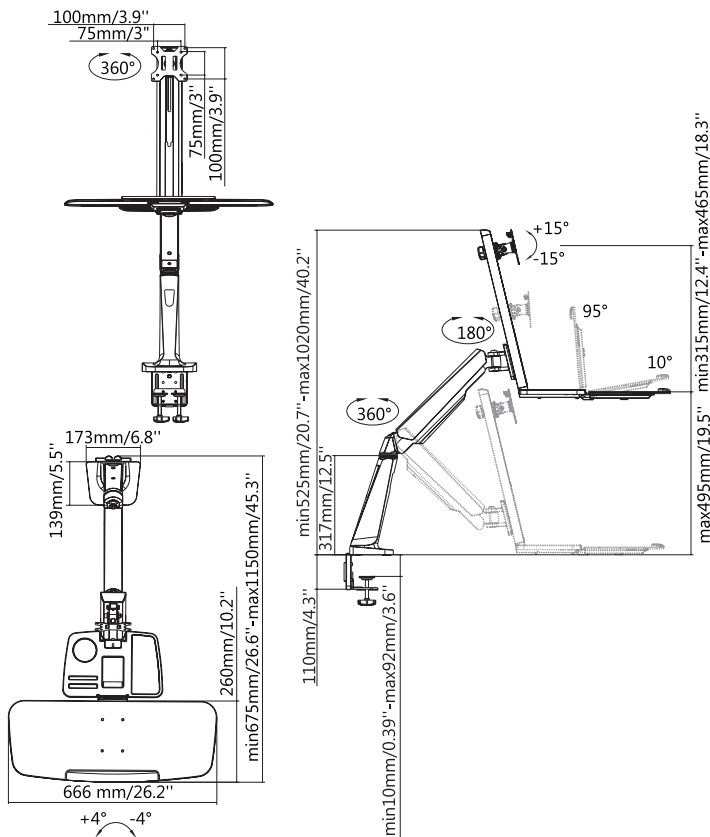
Sit-Stand Workstation for 13"-32" Monitor

Art. No.: BP0040



Features:

- » Fit for 13"-32" LED/LCD monitors and screens
- » Easily lift monitor and keyboard to proper height
- » Gas spring structure offers perfect counterbalance presentation
- » Built-in spring gauge for perfect weight adjustment
- » Second storage tray for phones, stationary, and other accessories
- » Safety ledge stopper prevents your devices from slipping
- » Neat and efficient cable management
- » Both grommet and desk clamp mounting available
- » VESA compliant: 75x75mm, 100x100mm



Grommet or desk-clamp mounting available



* The specifications and pictures are subject to change without notice.
* All trade names referenced are the registered trademark of their respective owners.



BP0040



Made in China

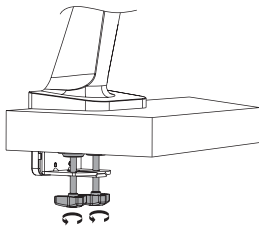
LogiLink®

Sit-Stand Workstation for 13"-32" Monitor

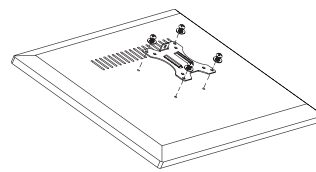
Art. No.: BP0040



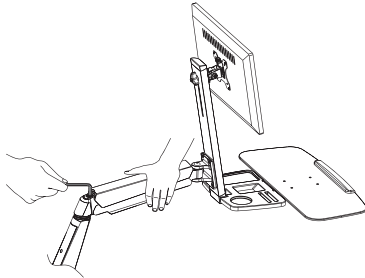
1



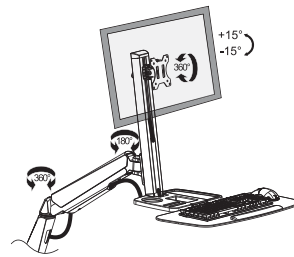
2



3



4



Specification:

| | |
|--------------|---------------------|
| Screen Size | 13"-32" |
| Rated Load | 2-8kg/4.4-17.6lbs |
| VESA | 75x75, 100x100 |
| Arm Extend | 442mm |
| Tilt | 15° ~ -15° |
| Swivel | 90°~-90° |
| Rotate | 180°~-180° |
| Product Size | 666 x 1150 x 1020mm |

Fits
13"-32"
Monitor

VESA
Max.
100x100mm

Arm
Extend
442mm

rated
2-8kg/
4.4-17.6lbs

180°~180°
ROTATION

15°
-15°
TILT

90°
-90°
SWIVEL

Package Contents:

- » 1 x Sit-Stand Workstation
- » 1 x Screw Package
- » 1 x User Manual

Package Informations:

- » Packing Dimension: 935 x 575 x 190mm
- » Packing Weight: 14.2kg
- » Carton Dimension: 935 x 575 x 190mm
- » Carton Q'ty: 1pcs
- » Carton Weight: 14.2kg

RoHS
compliant

* The specifications and pictures are subject to change without notice.
* All trade names referenced are the registered namework of their respective owners.



BP0040



Made in China

Best Connectivity