



LogiLink®

Aluminum Triple Monitor Desk
Mount with Gas Spring
for 13–32" Flat & Curved Monitor

Art. No.: BP0052

The perfect companion for sit-stand workstations

Triple monitor mount, frees up more useful space on the desktop. Features a simple height adjustment for comfortable viewing angles, and integrated cable management to keep cords clean and organized. Great for giving you a whole new dimension to your workstation.



*The specifications and pictures are subject to change without prior notice.
*All trade names referenced are the registered trademarks of their respective owners.

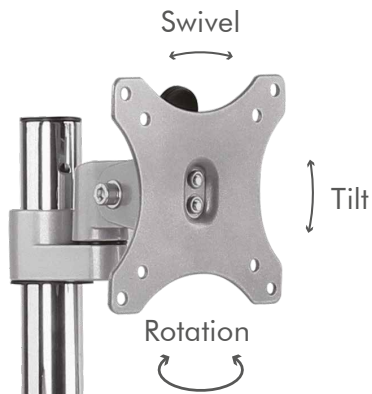


BP0052



4 052792 048001

Made in China



Customized for optimal view

Offers exceptional range of motion and height adjustment. Easily rotate, swivel, and tilt for your desired viewing angle.

Designed for convenience

Grommet or desk-clamp mounting available



Gas spring tension adjustment

keep your workplace clean and organized with integrated cable management system.



*The specifications and pictures are subject to change without prior notice.
*All trade names referenced are the registered trademarks of their respective owners.



BP0052

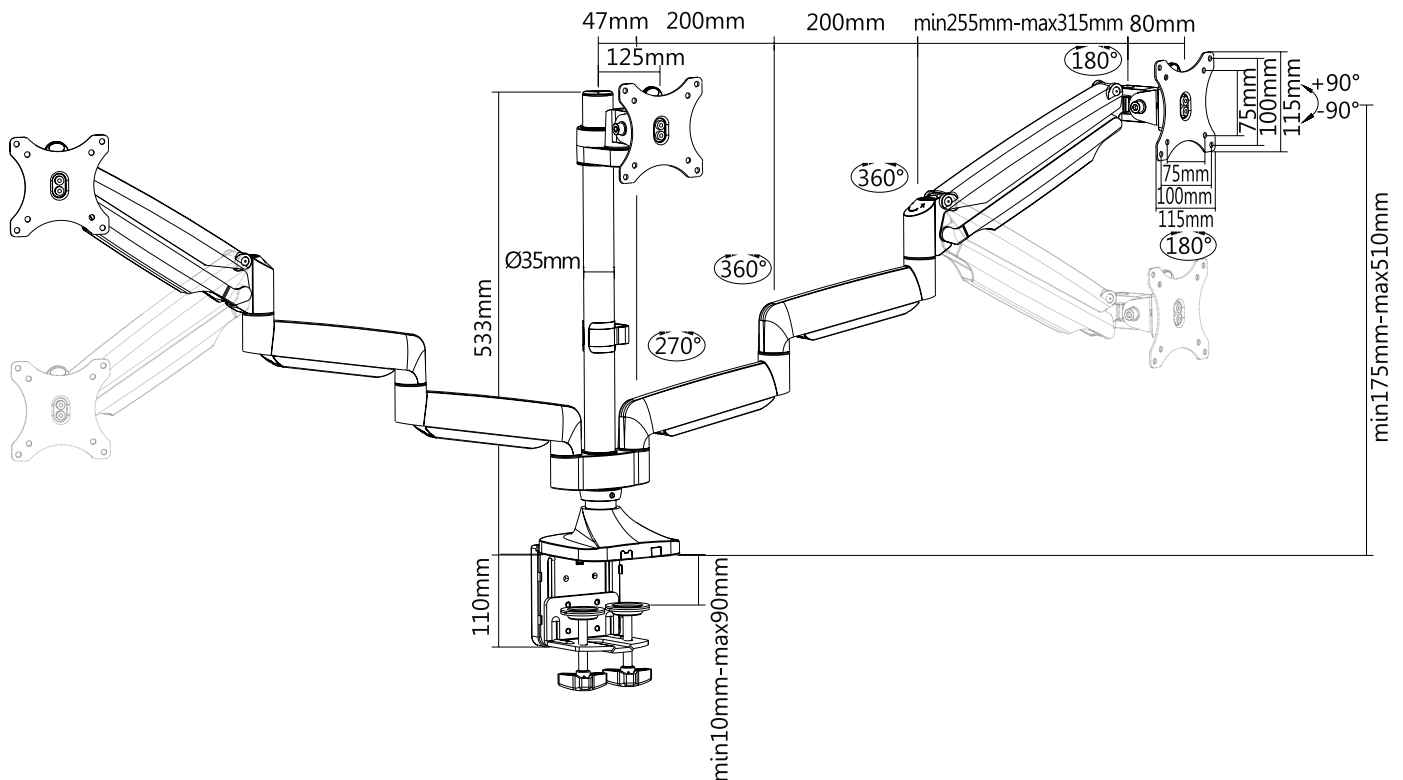


4 052792 048001

Made in China

Specification:

Fit Screen Size	13–32"
Screen Quantity	3
Material	Steel/plastic/aluminum
Rated Load	7 kg per arm
VESA	75 x 75/100 x 100
Tilt Range	-90°/+90°
Swivel Range	-90°/+90°
Screen Rotation	-90°/+90°
Arm Extension	762 mm
Pole Height	533 mm
Pole diameter	35 mm
Dimensions	153 x 19 x 70 cm
Color	Silver



Package Contents:

- » 1x Aluminum Triple Monitor Desk Mount
- » 1x Screw Package
- » 1x User Manual

Package Information:

- » Packing Dimension: 490 x 360 x 160 mm
- » Packing Weight: 10.64 kg
- » Carton Dimension: 510 x 375 x 345 mm
- » Carton Q'ty: 2 pcs
- » Carton Weight: 22.37 kg



*The specifications and pictures are subject to change without prior notice.
*All trade names referenced are the registered trademarks of their respective owners.



BP0052



4 052792 048001

Made in China