

LogiLink®

Full Motion Universal Ceiling Mount for Projectors

Art. No.: BP0056



Great For Saving Space At Home Or The Office

The flush ceiling projector mount saves space and is fully adjustable, featuring 20° tilt, 20° swivel, and 360° rotation, hitting all the right viewing angles.



*The specifications and pictures are subject to change without prior notice.
*All trade names referenced are the registered trademarks of their respective owners.



BP0056

v.2

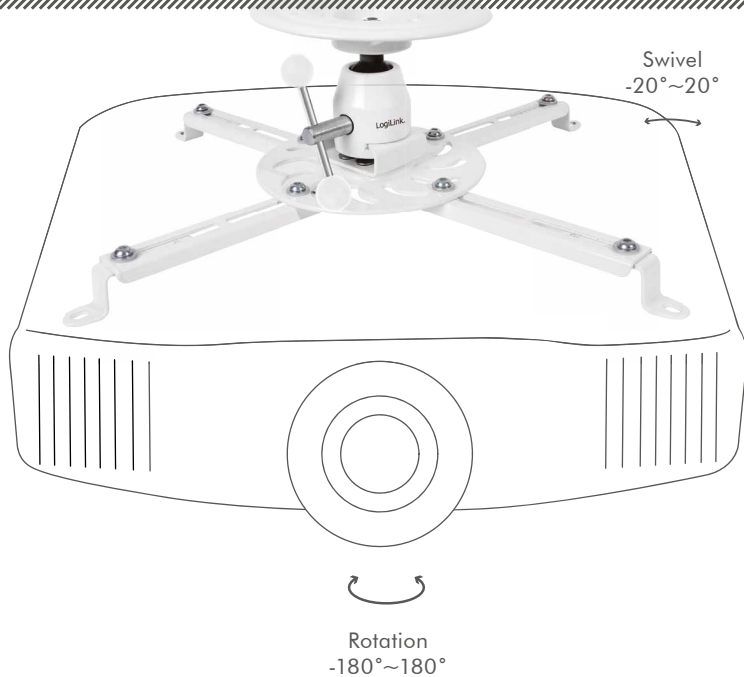


4 052792 048179

Made in China

25KG
Weight
Capacity

Tilt
-20°~20°



135 mm



Sturdy & Durable

The high-quality steel mount ensures durability and stability; supporting a load capacity up to 25 kg.

Compatible & Flexible

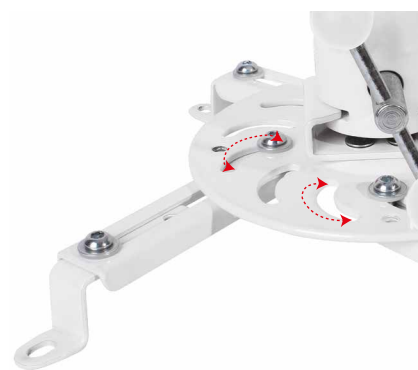
Comes with four adjustable support brackets that can fit a wide range of mounting holes. Solid ball joint structure offers 360° rotation and 20° tilting for multi-angle viewing.



Angle adjustment via grip knob.



Quick release brackets attach and detach by tightening and loosening the mounting bolts.



*The specifications and pictures are subject to change without prior notice.
*All trade names referenced are the registered trademarks of their respective owners.





Specification:

Material	Steel
Weight Capacity	25 kg
Max. Equipment Size	Projectors with a range from 80–500 mm in diameter
Tilt	-20°–20°
Swivel	-20°–20°
Rotation	360°
Color	White
Dimensions	135x515x515 mm

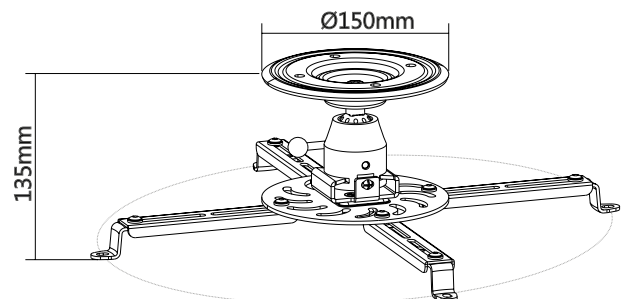


Package Contents:

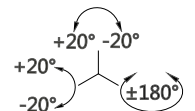
- » 1x Projector Mount
- » 1x Screw Package
- » 1x User Manual

Package Informations:

- » Packing Dimension: 161x141x161 mm
- » Packing Weight: 1.92 kg
- » Carton Dimension: 340x340x300 mm
- » Carton Q'ty: 8 pcs
- » Carton Weight: 16 kg



Ø Min80mm - Ø Max500mm



*The specifications and pictures are subject to change without prior notice.
*All trade names referenced are the registered trademarks of their respective owners.

