

LogiLink®

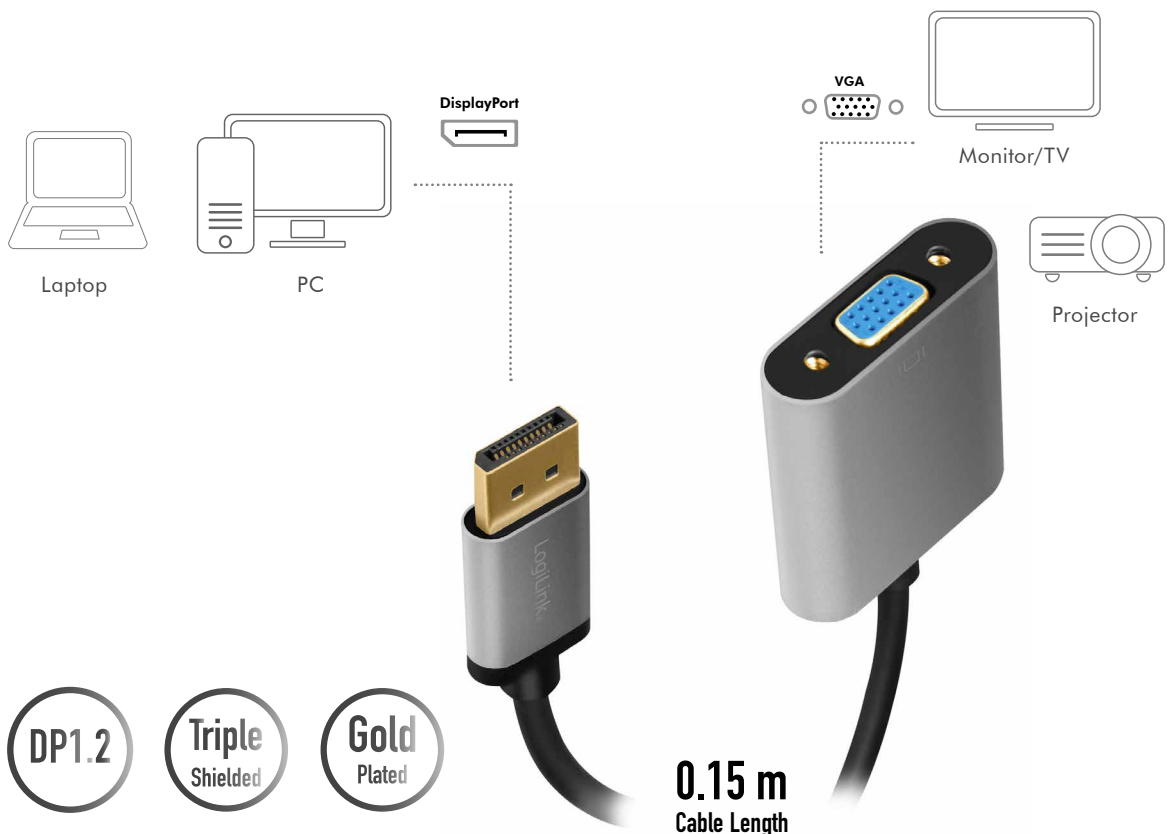
DisplayPort™ to VGA Adapter DP male to VGA female

Art. No.: CDA0109



This DisplayPort to VGA Adapter allow you to connect your DisplayPort equipped laptop or computer to an VGA display or projector; supports video resolution up to QXGA 2048x1536.

- » Elegant and compact design with aluminum alloy body and unibody structure; it is a durable & portable DP to VGA adapter
- » Connect a DisplayPort (DP, DP++, DisplayPort++) equipped laptop or desktop to a monitor or projector with VGA input; A VGA cable (sold separately) is required
- » Supports video resolutions up to QXGA 2048x1536@60 Hz
- » Gold-plated connectors resist corrosion, provide durability and improve the signal transmission
- » Compatible with notebooks (HP ProBook EliteBook, Lenovo ThinkPad), Desktop Tower (HP, Dell, Lenovo), graphics cards (AMD, NVIDIA) and other devices with DisplayPort.
- » No software or driver installation needed



*The specifications and pictures are subject to change without prior notice.
*All trade names referenced are the registered trademarks of their respective owners.

LogiLink®

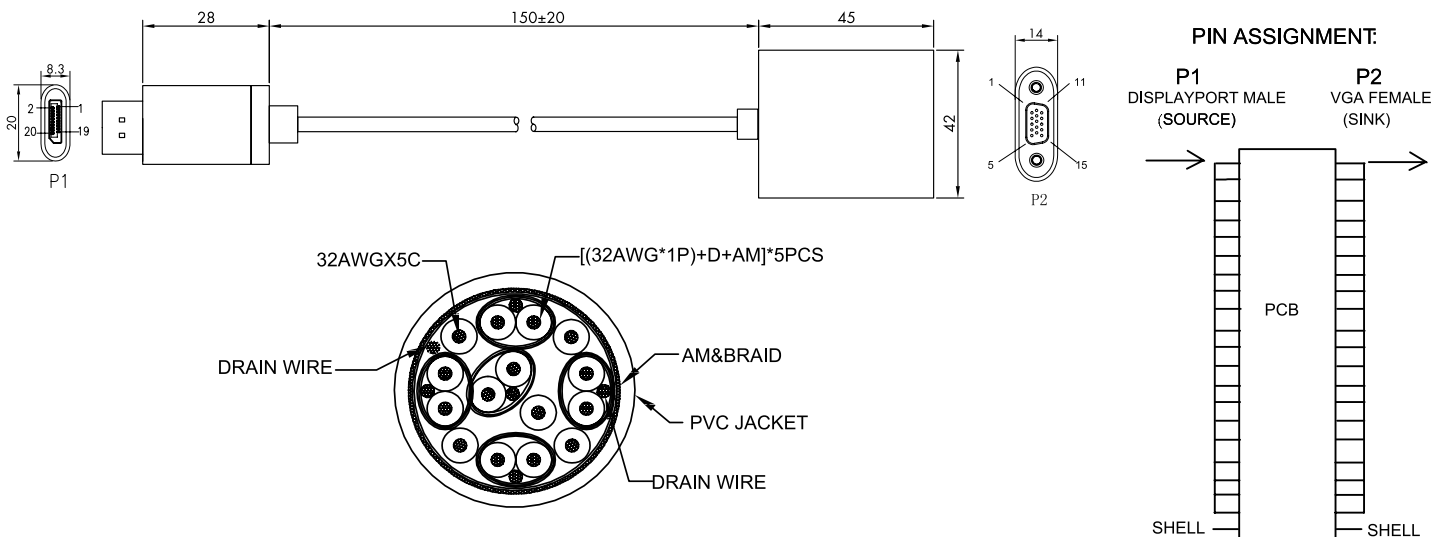
DisplayPort™ to VGA Adapter DP male to VGA female

Art. No.: CDA0109



Specifications:

Connection 1	DisplayPort 20pin, male
Connection 2	VGA 15pin, female
Connector Material	Gold-Plated
Max. Resolution	QXGA 2048x1536@60 Hz
Cable Length	0.15 m
Color	Black/Grey



Package Content:

- » 1x DisplayPort to VGA Adapter

Package Information:

- » Packing Dimension: 193x177x14 mm
- » Packing Weight: 0.045 kg
- » Carton Dimension: 420x380x220 mm
- » Carton Q'ty: 140 pcs
- » Carton Weight: 7.6 kg



*The specifications and pictures are subject to change without prior notice.
*All trade names referenced are the registered trademarks of their respective owners.



4 052792 062113

Made in China