

LogiLink®

Power Cable

US Plug to IEC C13 Socket

Art. No.: CP099

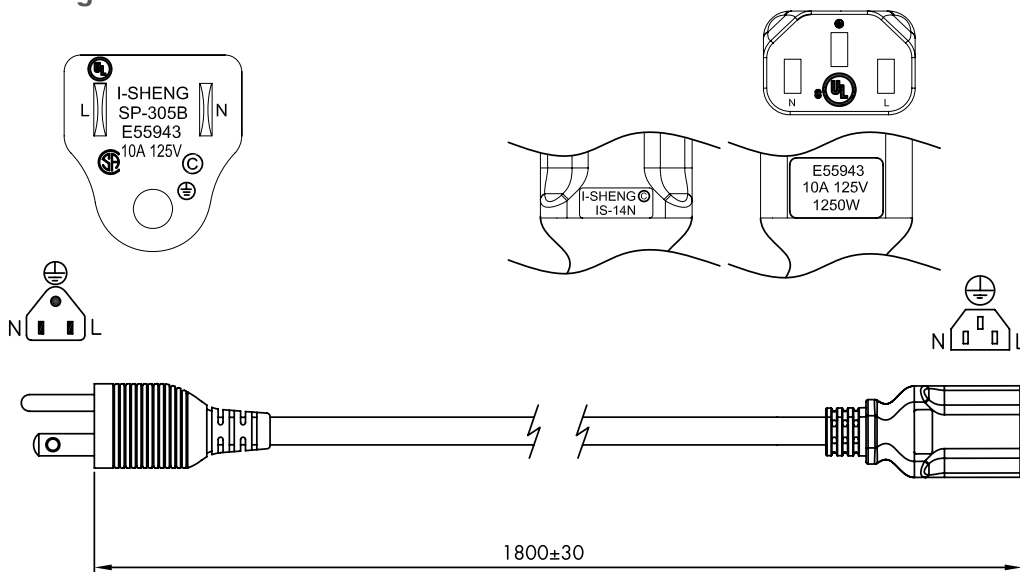


This power cable is perfect to connect your computer and other end devices with US socket outlet.

Features:

- » NEMA 5-15P (US) plug to IEC 60320 C13 socket
- » Cable Type: SVT 18 AWG/3C
- » Suitable for 125 V, 10 A, 1250 W
- » Cable length: 1.8 m
- » Color: Black

Technical Drawing:



Package Content:

- » 1x Power Cable

Package Information:

- » Packing Dimension: 210 x 70 x 60 mm
- » Packing Weight: 0.155 kg
- » Carton Dimension: 546 x 355 x 197 mm
- » Carton Q'ty: 120 pcs
- » Carton Weight: 19.5 kg



CP099



4 260113 573426

Made in China



*The specifications and pictures are subject to change without prior notice.
*All trade names referenced are the registered trademarks of their respective owners.