

LogiLink®

Power Extension Cable IEC C8 Plug to IEC C7 Socket

Art. No.: CP129
CP132



This extension cable is perfect for a flexible power connection for indoor areas.

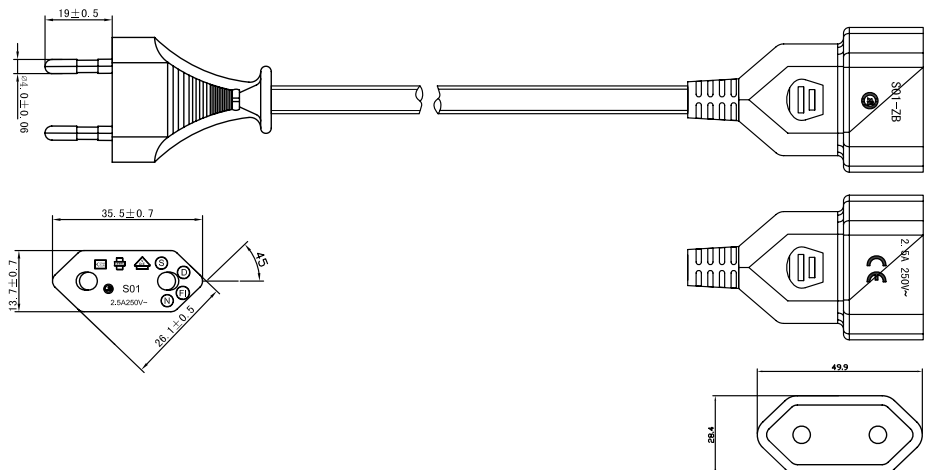
Features:

- » IEC 60320 C8 plug to IEC 60320 C7 socket
- » Simply extend your existing power/power cable
- » Cable type: H03VVH2-F, 2x 0.75 mm²
- » Cable extension for connecting devices with max. 2.5 A
- » Cable length: 2 m

| Art-No. | Color | EAN Code |
|---------|-------|---------------|
| CP129 | Black | 4052792039726 |
| CP132 | White | 4052792039757 |



Technical Drawing:



Package Content:

- » 1x Power Extension Cable

Package Information:

- » Packing Dimension: 200 x 300 x 14 mm
- » Packing Weight: 0.11 kg
- » Carton Dimension: 415 x 270 x 260 mm
- » Carton Q'ty: 100 pcs
- » Carton Weight: 12 kg



*The specifications and pictures are subject to change without prior notice.
*All trade names referenced are the registered trademarks of their respective owners.

Made in China