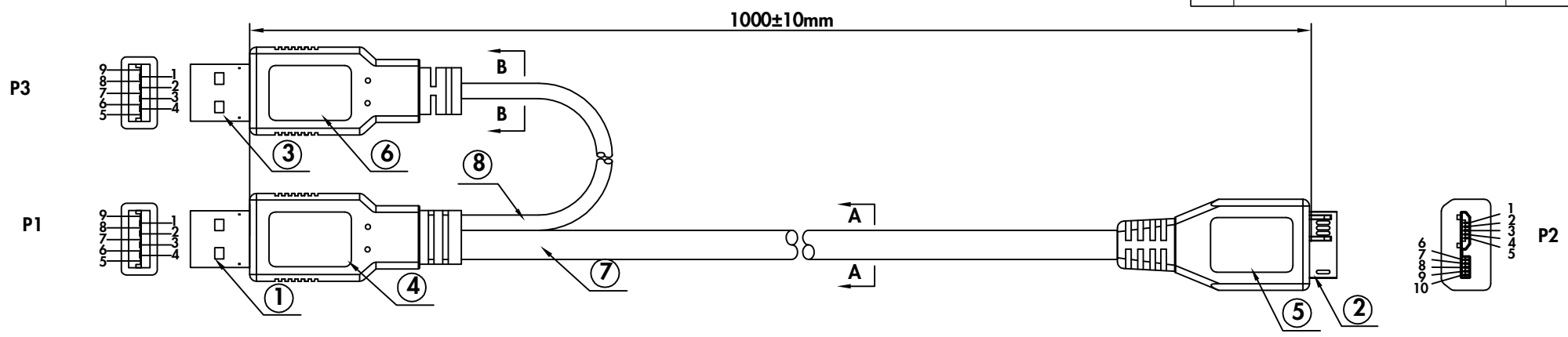
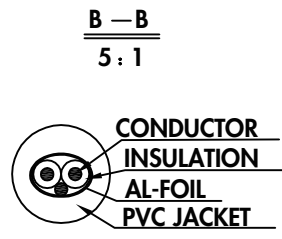
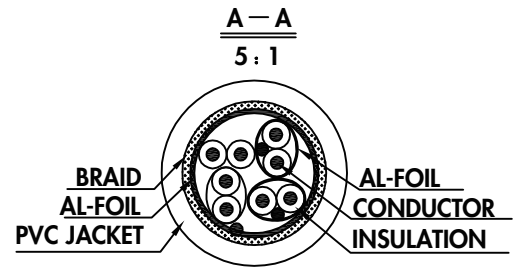


THE INFORMATION CONTAINED IN THIS DRAWING IS THE SOLE PROPERTY OF 2DIRECT GMBH. ANY REPRODUCTION IN PART OR WHOLE WITHOUT THE WRITTEN PERMISSION OF 2DIRECT GMBH IS PROHIBITED. WE RESERVE THE RIGHT TO MAKE TECHNICAL CHANGES. TECHNISCHE ÄNDERUNGEN VORBEHALTEN.

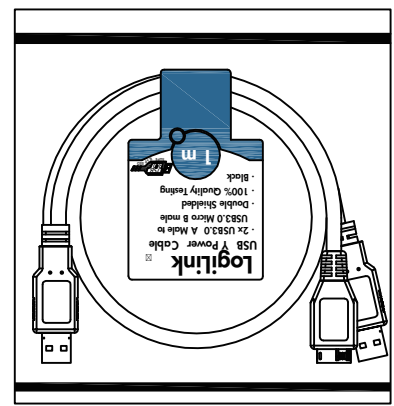
REVISIONS			
REV	DESCRIPTION	DATE	APPROVED
A			



PRINTING: USB 3.0 CABLE FULLY RATED 80°C 30V

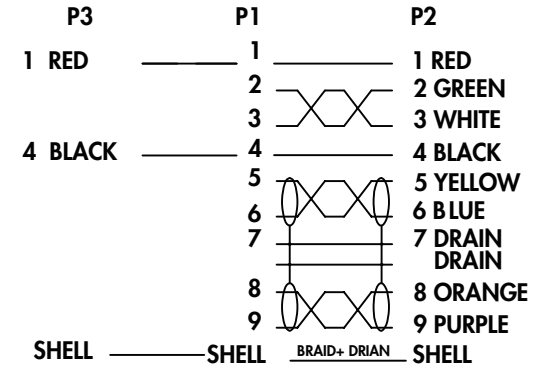


PACKING DRAW



PACKING: SINGLE LABEL AND POLYBAG
CABLE BINDING: Ø130

PIN OUT



RoHS COMPLIANT TO DIRECTIVE 2011/65/EU

1	CONNECTOR: USB3.0 A MALE, NICKEL PLATED
2	CONNECTOR: USB3.0 MICRO B MALE, NICKEL PLATED
3	CONNECTOR: USB3.0 A MALE, NICKEL PLATED
4	MOLD HOOD: PVC, COLOR: BLACK
5	MOLD HOOD: PVC, COLOR: BLACK
6	MOLD HOOD: PVC, COLOR: BLACK
7	CABLE: 7*0.12BC*1P+7*0.12BC*2C+[7*0.12BC*1P+D(7*0.12BC)+AL]*2+AL+D(7*0.12BC)+B(16*6*0.12ALMG)+PVC, OD=5.3±0.1MM, COLOR: BLACK
8	CABLE: 7*0.12BC*2C+PVC, OD=3.0±0.1, COLOR: BLACK

PACKAGING INFORMATION		
PACKING DIMENSION	160 x 190	mm
PACKING WEIGHT	0.06	kg
CARTON DIMENSION	400 x 300 x 300	mm
CARTON QUANTITY	200	pcs
CARTON WEIGHT	13	kg

DIMENSIONAL TOLERANCES UNLESS OTHERWISE NOTED		APPROVALS	DATE
TOLERANCE	inch mm	DRAWN BY Xujun Yu	28/02/19
.X		CHECKED BY	
.XX		APPROVED BY	
.XXX			
PROJECTION		CONFIGURATION DETAILS OF UNDIMENSIONED FEATURES MAY VARY	

2direct GmbH			
PRODUCT TITLE USB CABLE, USB3.0, 2X A MALE TO 1X MICRO MALE, BLACK, 1,0M			
ITEM NO.	DWG. NO.	REV.	
CU0072	DW-CU0072	A	
COLOR VARIATIONS MAY OCCUR		SCALE: NONE	UNITS: mm SHEET / 1