

LogiLink®

Height Adjustable Wall Mounted Workstation

Art. No.: EO0015



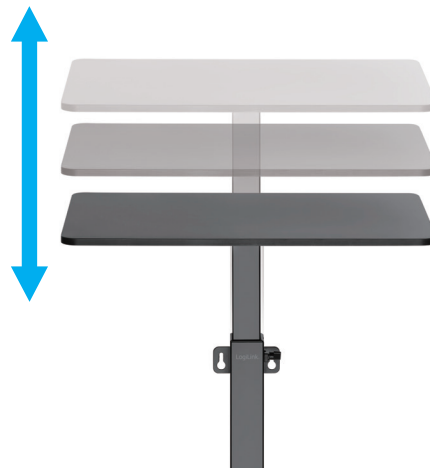
The wall-mounted sit-stand workstation allows you to effortlessly find the most suitable working position to improve your working comfort. You can move from a sitting to standing position in mere seconds with a smooth vertical lift motion. The floor-space-saving design blends into any public space and small work areas such as lobbies, clinics, garage or schools.

Features:

- » Adjustable Height: offers maximum comfort and adaptability to multiple requirements
- » Locking Rotary Knob: ensures tool-less height adjustment
- » Sturdy Steel Construction: better durability from weight and wear
- » Eco-friendly particle board finished with solid construction
- » High-strength and impact resistant MDF material
- » Scuff-resistant powder coat paint



Quick sit-stand transition



Manual height adjustment



*The specifications and pictures are subject to change without prior notice.
*All trade names referenced are the registered trademarks of their respective owners.



EO0015



Made in China

Best Connectivity

Converts Any Wall Surface to a Possible Workstation



Specification:

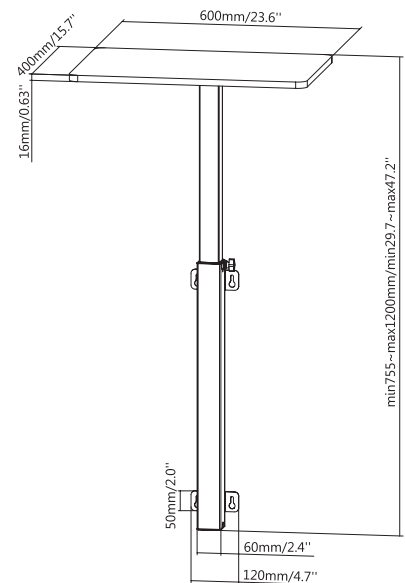
Material	Plastic, Particle Board & Melamine, Steel
Dimensions	600 x 405 x 755-1200mm
Work Surface Size (L x W)	600 x 400 x 16mm
Height Range	755-1200mm
Height Adjustment	Manually
Tabletop Thickness	16mm
Weight Capacity	10kg
Installation	Wall Mounted
Color	Black

Package Contents:

- » 1 x Workstation
- » 1 x Screw Pack
- » 1 x User Manual

Package Information:

- » Packing Dimension: 825 x 430 x 155mm
- » Packing Weight: 9.4kg
- » Carton Dimension: 825 x 430 x 155mm
- » Carton Q'ty: 1pc
- » Carton Weight: 9.4kg



Best Connectivity



*The specifications and pictures are subject to change without prior notice.
*All trade names referenced are the registered trademarks of their respective owners.



EO0015



Made in China