



DIN-Rail Mounting Brackets, 2 pcs

Art no.: MP0049

Technical Features

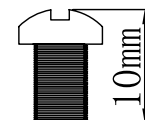
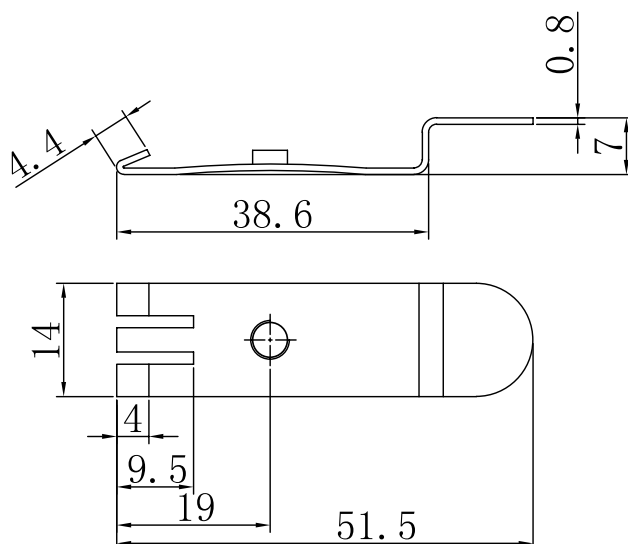
2 Brackets with 10 mm, M5 screw

Material: Stainless steel, zinc alloy, 0.8 mm

Dimension: 51.5 x 14 x 7 mm

Suitable for 35 x 7.5 mm DIN Rail

Technical Drawings



Unit: mm

MP0049



Made in China

www.2direct.de



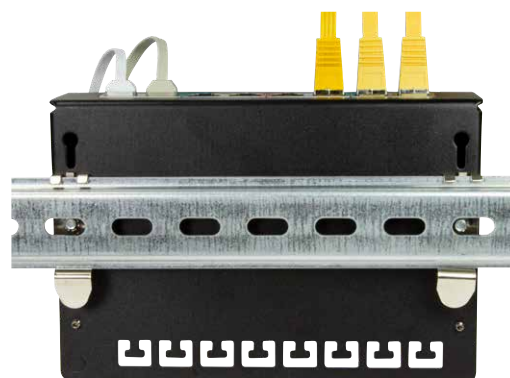
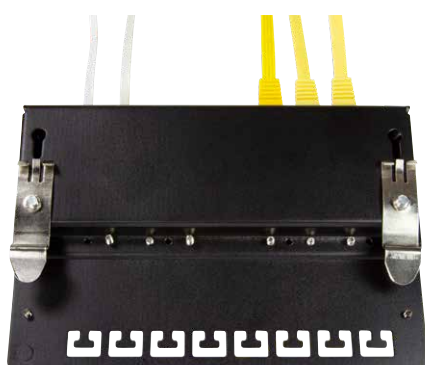
*The specifications and pictures are subject to change without prior notice.
*All trade names referenced are the registered trademarks of their respective owners.

Package Contents

2 x DIN-Rail Mounting Brackets

Packaging Information

Packing Dimension	80 x 60 x 5.85 mm
Packing Weight	0.012 kg
Carton Dimension	450 x 210 x 100 mm
Carton Q'ty	200 pcs
Carton Weight	3 kg



MP0049



4 052792 051667

Made in China

www.2direct.de



*The specifications and pictures are subject to change without prior notice.
*All trade names referenced are the registered trademarks of their respective owners.