



## Cat.6A Class EA Wall Outlet, Shielded, Horizontal Cable Entry

### Technical Features

Complies with ISO/IEC 11801 & TIA/EIA-568-C

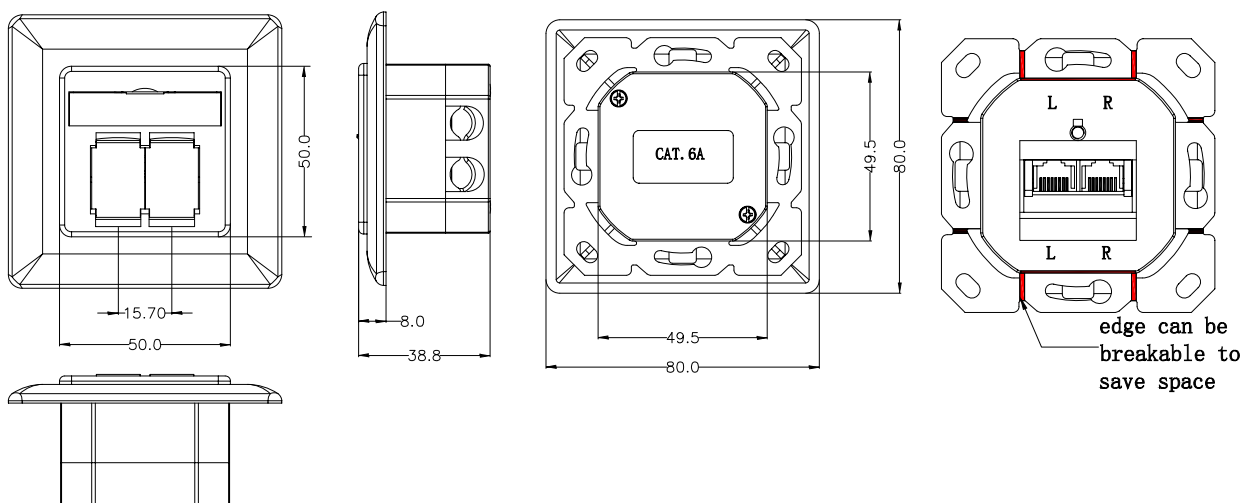
2 x shielded R45 jack, 40° angled

Horizontal cable entry with strain relief

Flush-mount or cable duct installation

Supports PoE, PoE+ and PoE++

### Technical Drawing



Art no.	Color	Suitable Surface Back Box	EAN Code
NP0021	Pure white (RAL 9010)	NP0221	4052792027204
NP0123	Signal white (RAL 9003)	NP0223	4052792028645

## Package Content

1x Cat.6A Wall Outlet

## Packaging Information

Packing Dimension	85x85x60 mm
Packing Weight	0.25 kg
Carton Dimension	360x360x260 mm
Carton Q'ty	64 pcs
Carton Weight	16.9 kg



Made in China

[www.2direct.de](http://www.2direct.de)



**RoHS**  
compliant

\*The specifications and pictures are subject to change without prior notice.  
\*All trade names referenced are the registered trademarks of their respective owners.