



CAT 5e Surface Modular Outlet

Art. No.: NP0035A

Technical Features

Category 5e Class D 100MHz

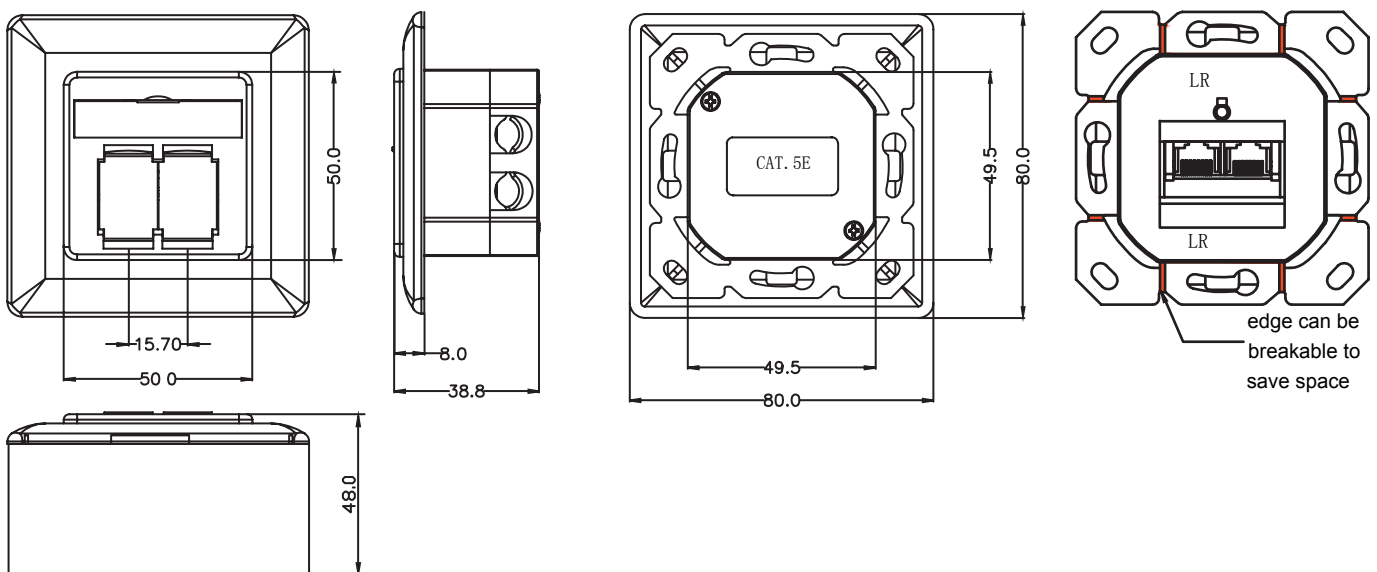
2 x Shielded RJ45, 40° angled

Fully shielded housing

Flush-and surface mount

Color: RAL9003 signal white

Technical Drawings



NP0035A



4 052792 034363

Made in China

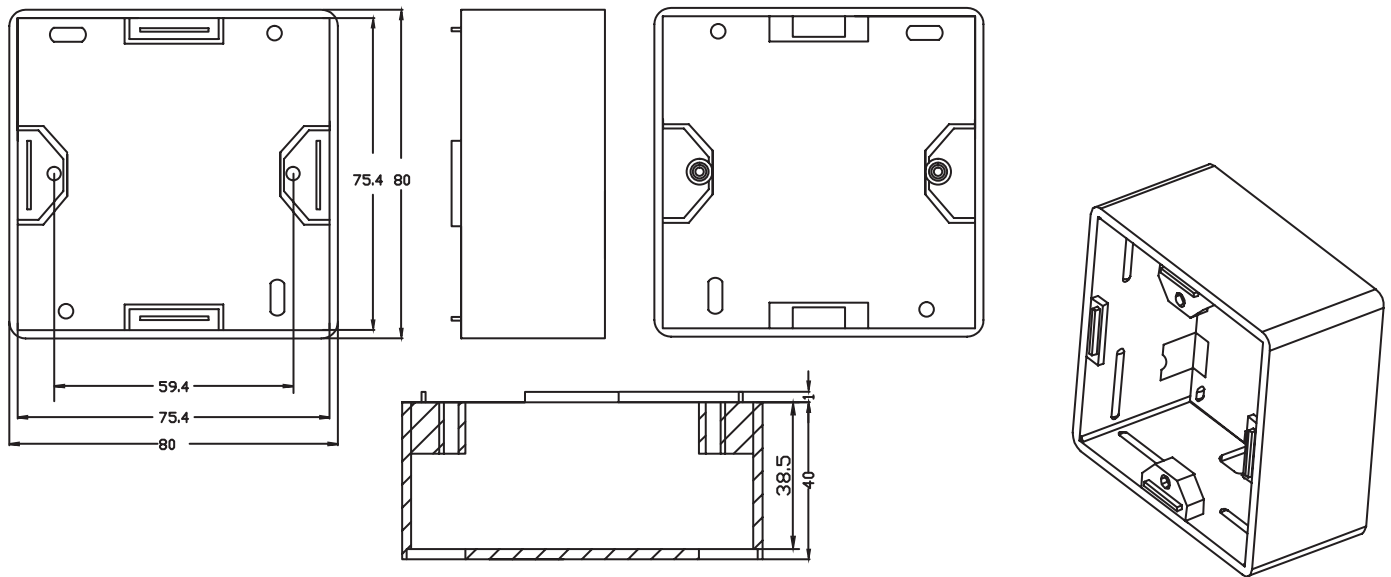
www.2direct.de



RoHS
compliant



*The specifications and pictures are subject to change without prior notice.
*All trade names referenced are the registered trademarks of their respective owners.



Package Contents

1x CAT 5e Surface Modular Outlet

Packaging Informations

Packing Dimension	85x85x65 mm
Packing Weight	0,252 kg
Carton Dimension	360x360x260 mm
Carton Q'ty	64 pcs
Carton Weight	16,9 kg



NP0035A



4 052792 034363

Made in China

www.2direct.de



RoHS
compliant



*The specifications and pictures are subject to change without prior notice.
*All trade names referenced are the registered trademarks of their respective owners.